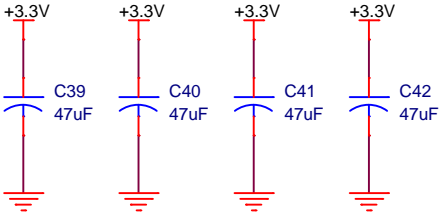
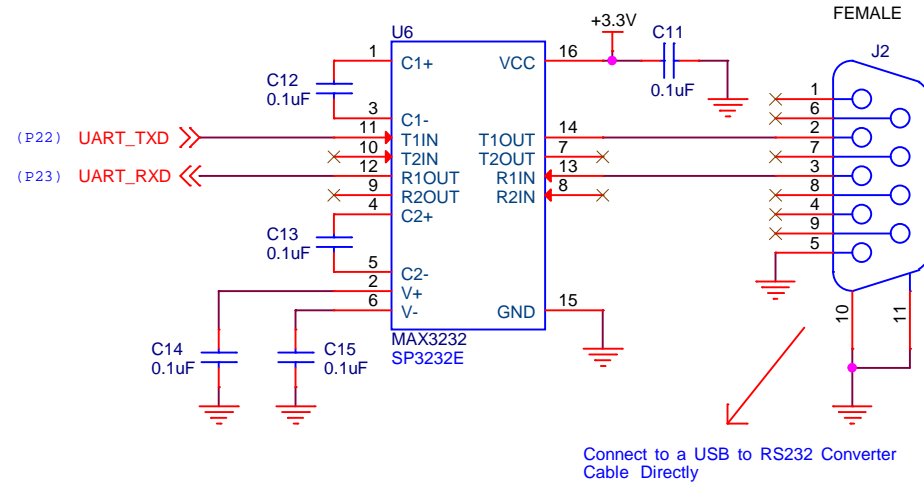
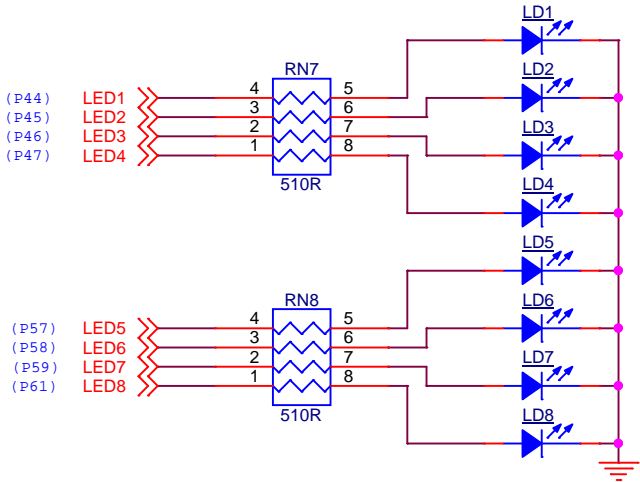
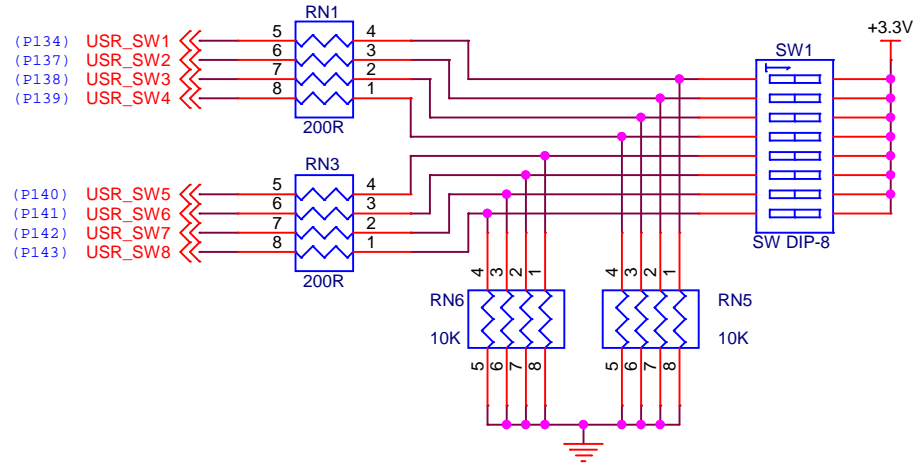
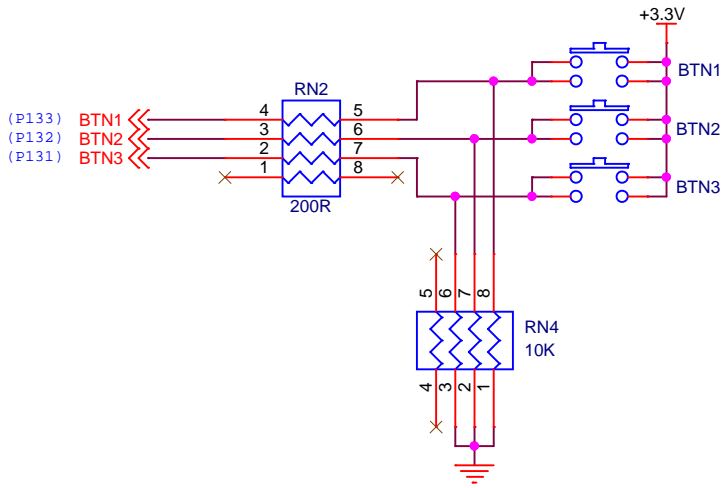


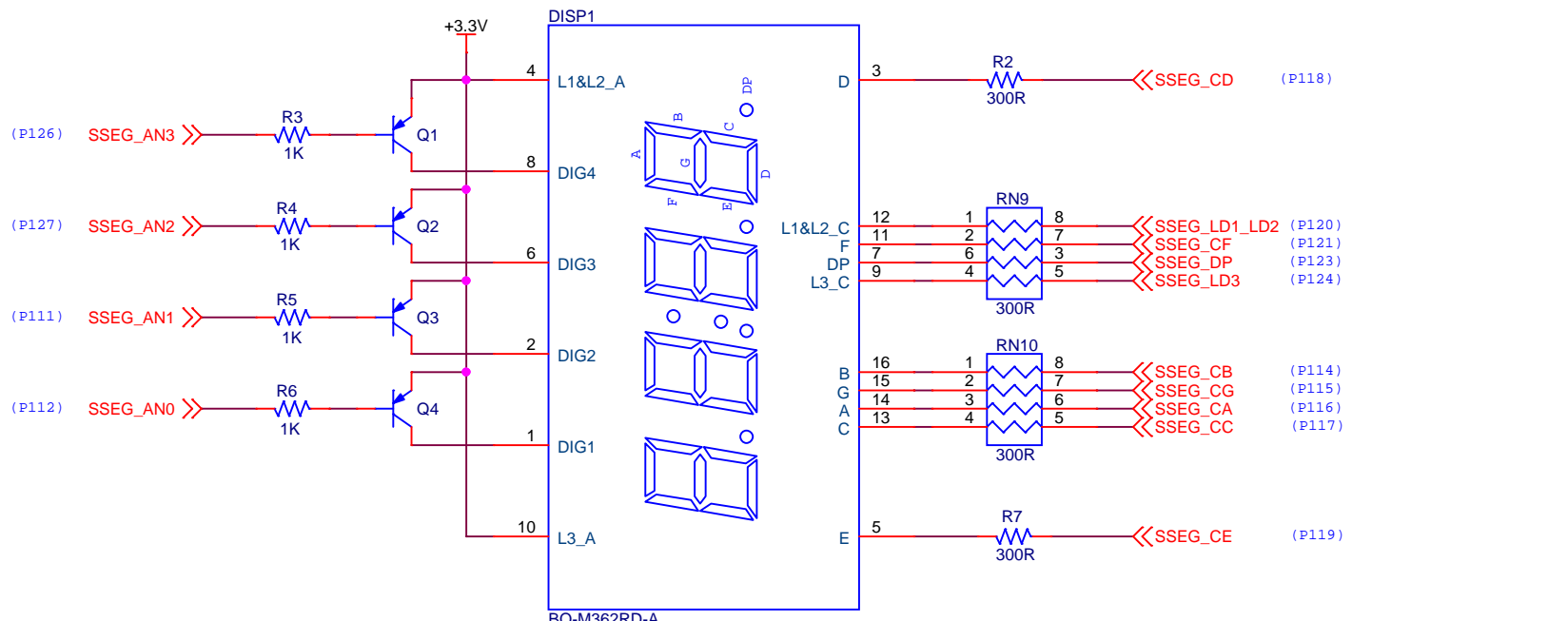
Bulk Decoupling Capacitors



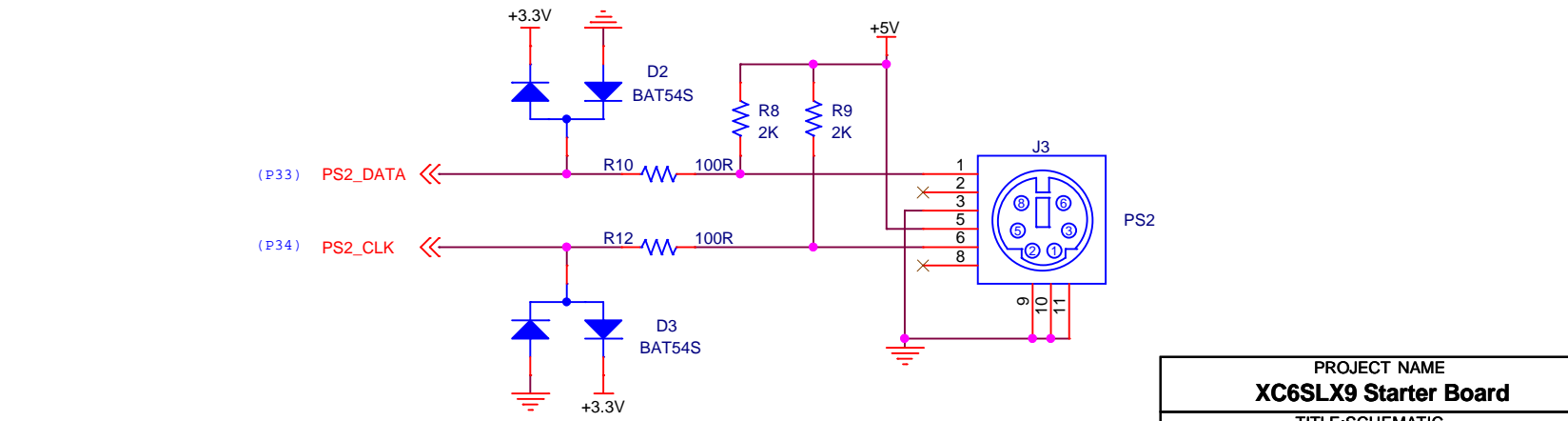
PROJECT NAME			
XC6SLX9 Starter Board			
TITLE:SCHEMATIC			
Power,Oscillator			
SIZE	REV	SHEET	DATE
A	A-1	1 OF 8	Thursday, Feb 6, 2014



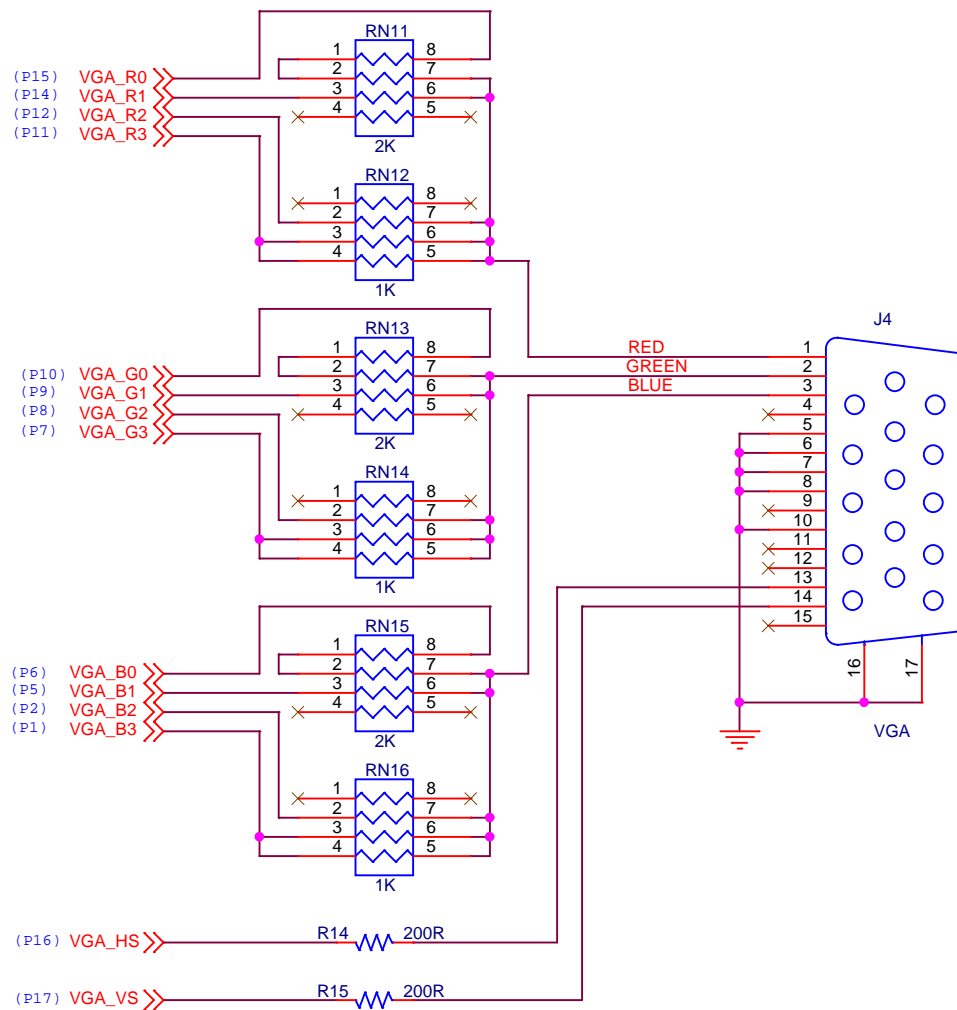
PROJECT NAME			
XC6SLX9 Starter Board			
TITLE:SCHEMATIC			
LEDs,Buttons,Switches,RS232			
SIZE	REV	SHEET	DATE
A	A-2	2 OF 8	Thursday, Feb 6, 2014



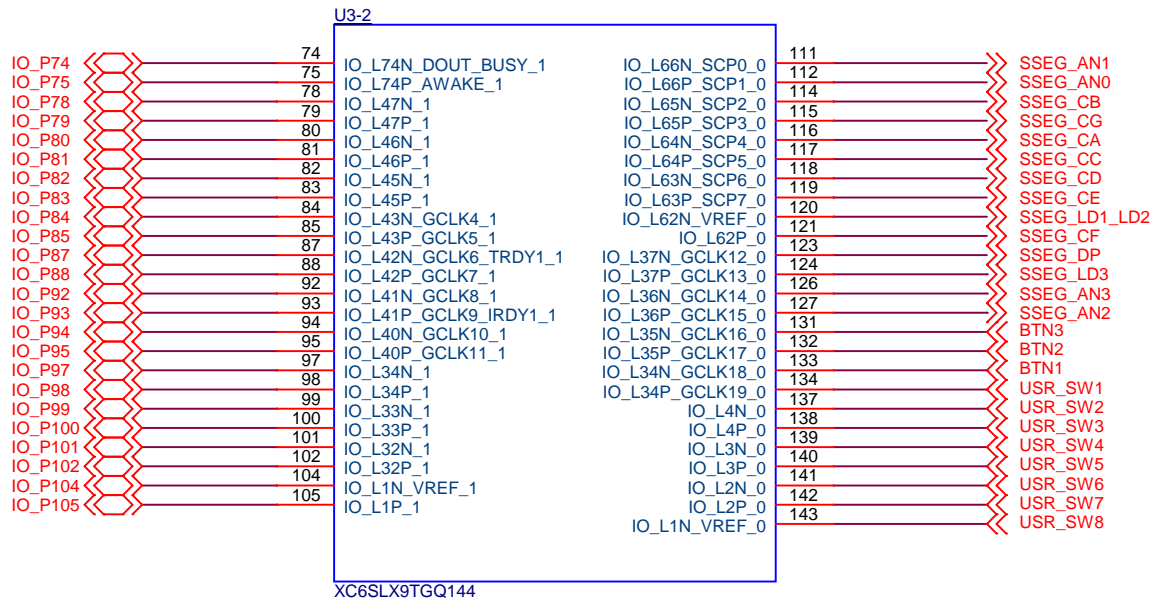
Note:L1_L2 is not recommended for use because it doesn't work well on some boards.



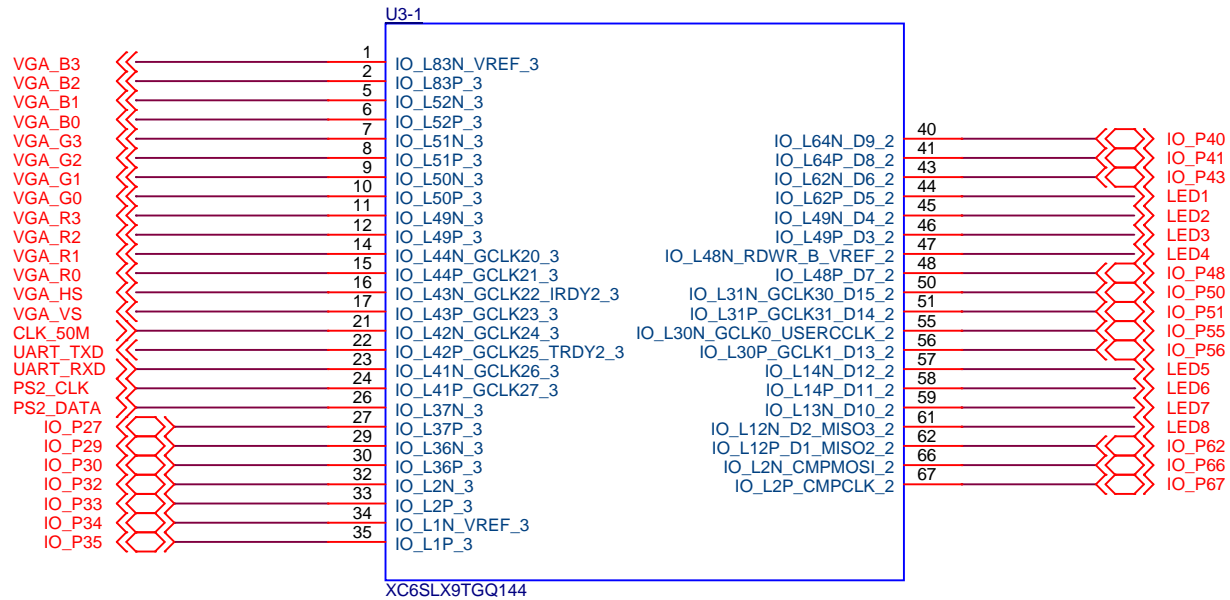
PROJECT NAME			
XC6SLX9 Starter Board			
TITLE:SCHEMATIC			
SSEG LED Display,P/S2 Interface			
SIZE	REV	SHEET	DATE
A	A-1	3 OF 8	Thursday, Feb 6, 2014



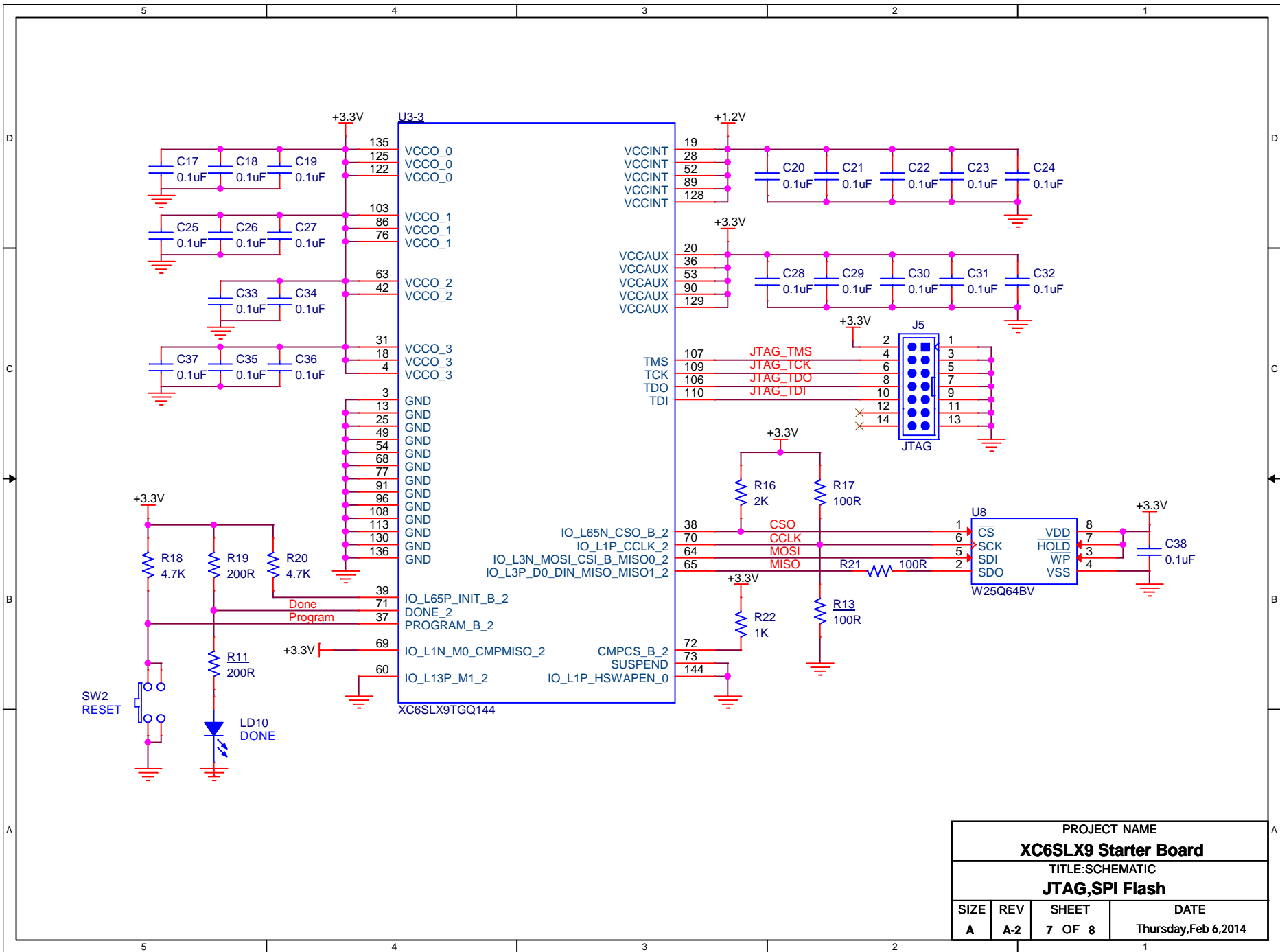
PROJECT NAME			
XC6SLX9 Starter Board			
TITLE:SCHEMATIC			
12-Bit VGA			
SIZE	REV	SHEET	DATE
A	A-1	4 OF 8	Thursday, Feb 6, 2014



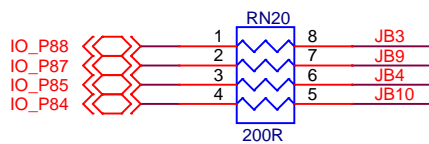
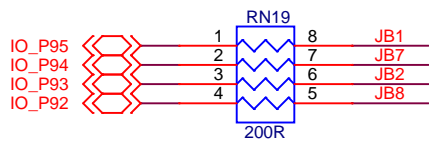
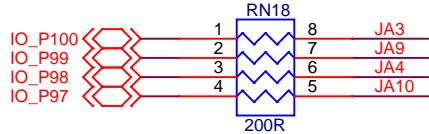
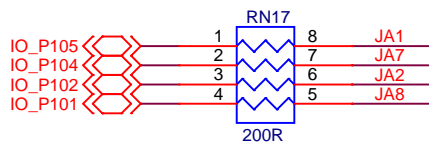
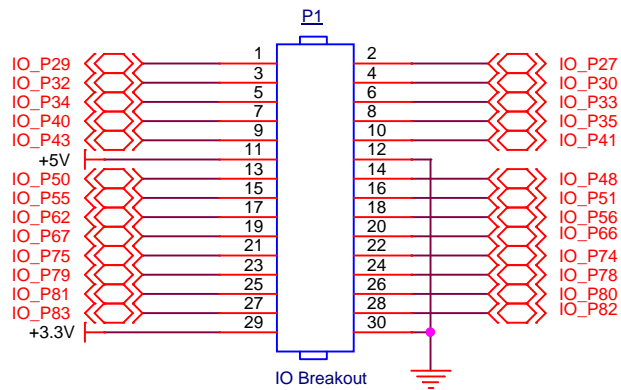
PROJECT NAME			
XC6SLX9 Starter Board			
TITLE:SCHEMATIC			
IO Bank0 & Bank1			
SIZE	REV	SHEET	DATE
A	A-2	5 OF 8	Thursday, Feb 6, 2014



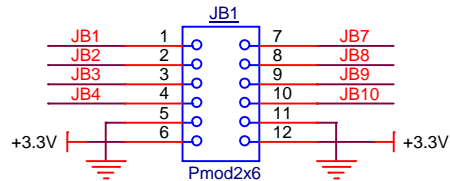
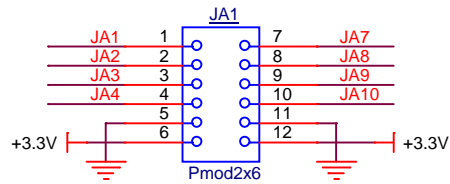
PROJECT NAME			
XC6SLX9 Starter Board			
TITLE:SCHEMATIC			
IO Bank2 & Bank3			
SIZE	REV	SHEET	DATE
A	A-2	6 OF 8	Thursday, Feb 6, 2014



PROJECT NAME			
XC6SLX9 Starter Board			
TITLE:SCHEMATIC			
JTAG,SPI Flash			
SIZE	REV	SHEET	DATE
A	A-2	7 OF 8	Thursday, Feb 6, 2014



Overcurrent Protection for Pmod IOs



PROJECT NAME			
XC6SLX9 Starter Board			
TITLE:SCHEMATIC			
IO Headers,Pmod Interface			
SIZE	REV	SHEET	DATE
A	A-2	8 OF 8	Thursday, Feb 6, 2014