

Digilab XC95 CPLD Development Base Board  
 Copyright 2001, Digilent Inc.

TITLE: DlabXc95

Document Number: PB-500-010

REV:  
A

Date: 2/13/2002 12:07:22p

Sheet: 1/4

Connector E

1	GND
2	VII
3	VCC
4	F4
5	F5
6	F6
7	F7
8	F8
9	F9
10	F10
11	F11
12	F12
13	F13
14	F14
15	F15
16	F16
17	F17
18	F18
19	F19
20	F20
21	F21
22	F22
23	F23
24	F24
25	F25
26	F26
27	F27
28	F28
29	F29
30	F30
31	F31
32	F32
33	F33
34	F34
35	F35
36	F36
37	F37
38	F38
39	F39
40	F40

J2

Connector F

1	GND
2	VII
3	VCC
4	F4
5	F5
6	F6
7	F7
8	F8
9	F9
10	F10
11	F11
12	F12
13	F13
14	F14
15	F15
16	F16
17	F17
18	F18
19	F19
20	F20
21	F21
22	GCK3
23	F23
24	GCK2
25	F25
26	F26
27	F27
28	F28
29	F29
30	BTN1
31	MCLK
32	LED1
33	TMS-F
34	GTS1
35	TDI-F
36	GSR
37	TD0-F
38	GTS2
39	TCK-F
40	

J3

Digilab XC95 CPLD Development Base Board  
Copyright 2001, Digilent Inc.

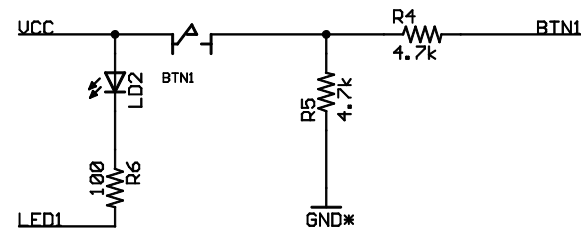
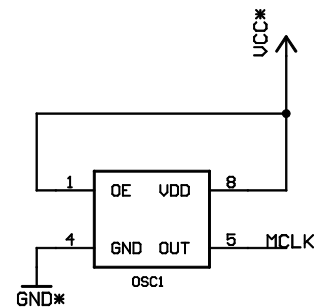
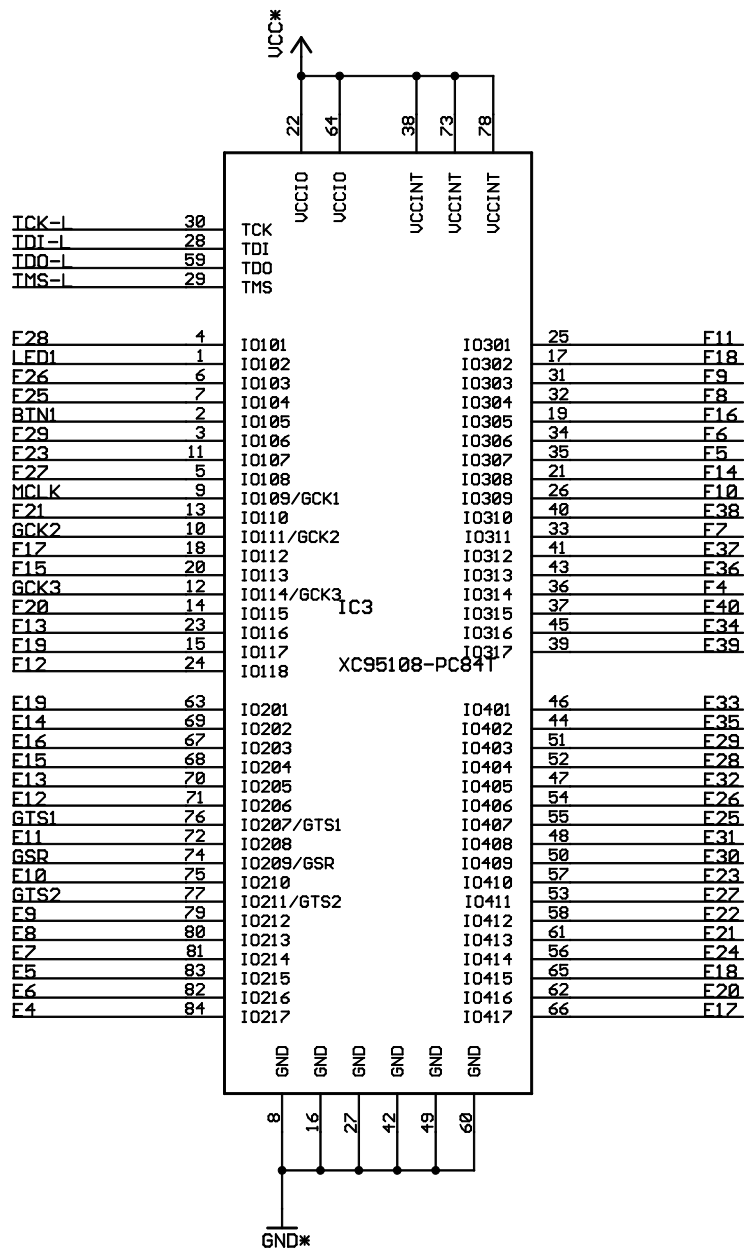
TITLE: DlabXc95

Document Number: PB-500-010

REV:  
A

Date: 2/13/2002 12:07:22p

Sheet: 2/4



Digilab XC95 CPLD Development Base Board  
 Copyright 2001, Digilent Inc.

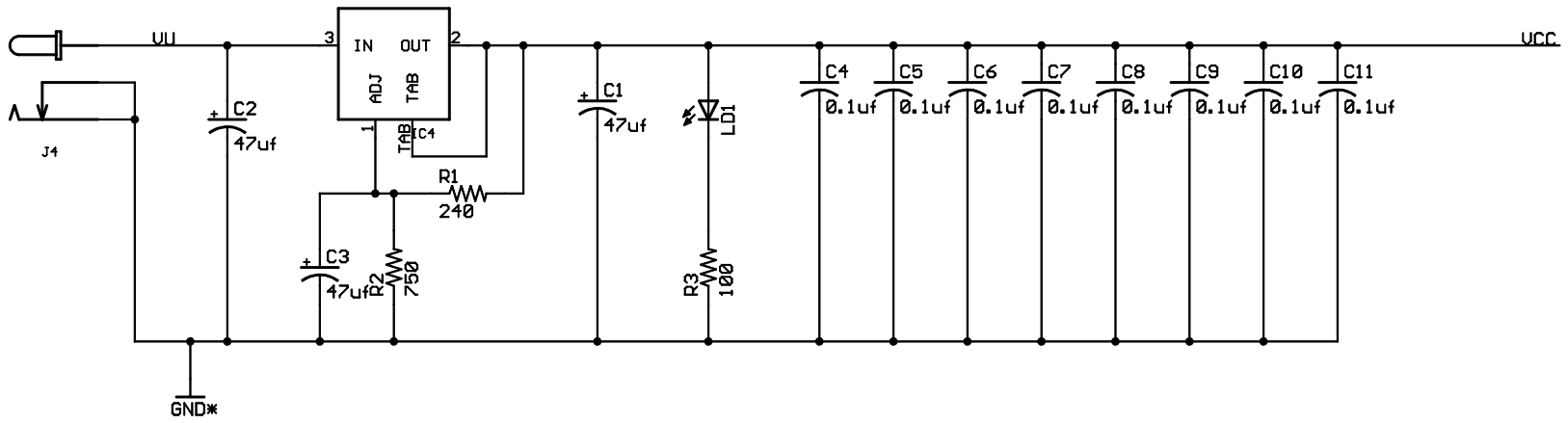
TITLE: DlabXc95

Document Number: PB-500-010

REV:  
A

Date: 2/13/2002 12:07:22p

Sheet: 3/4



Digilab XC95 CPLD Development Base Board Copyright 2001, Digilent Inc.	
TITLE: DlabXc95	
Document Number: PB-500-010	REV: A
Date: 2/13/2002 12:07:22p	Sheet: 4/4