

10 9 8 7 6 5 4 3 2 1

F

E

D

C

B

A

F

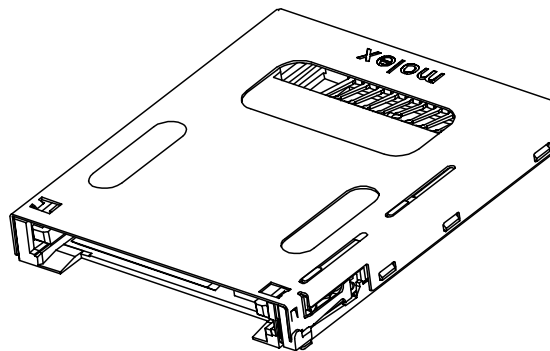
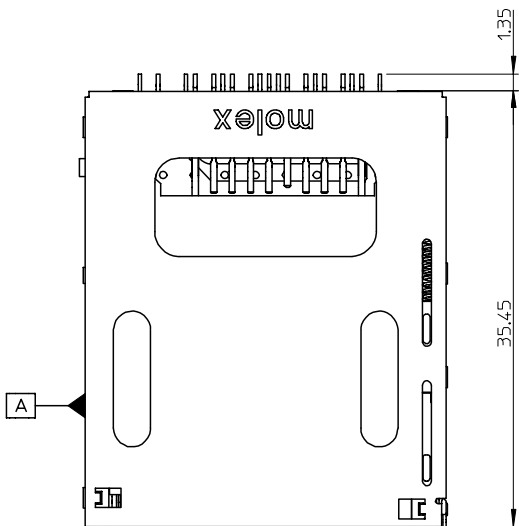
E

D

C

B

A



NOTE:

1.MATERIALS:

HOUSING: HIGH TEMPERATURE THERMOPLASTIC, BLACK, UL94 V-0.

TERMINAL : NAIL AND SWITCH: COPPER ALLOY.

METAL SHELL: STAINLESS STEEL

2.FINISH:

TERMINAL: NICKEL OVERALL UNDERPLATING, THICKNESS : 1.27 MICROMETER MIN. SELECTIVE GOLD ON CONTACT AREA, THICKNESS : 0.2 MICROMETER MIN. TIN ALLOY ON SOLDER AREA, THICKNESS : 3 MICROMETER MIN.

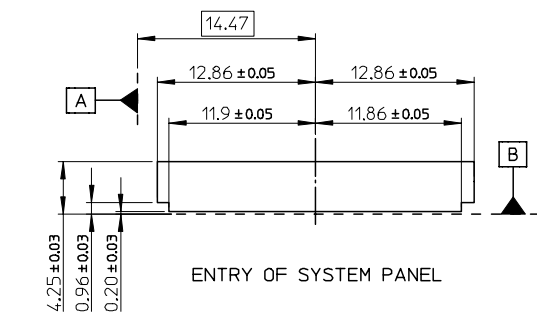
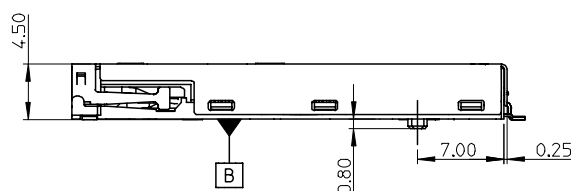
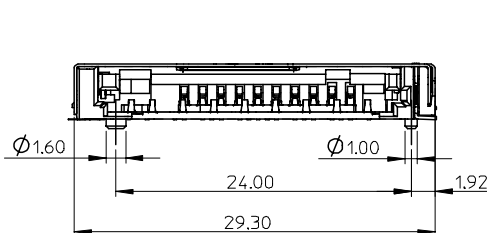
SWITCH: NICKEL OVERALL UNDERPLATING, THICKNESS : 1.27 MICROMETER MIN. SELECTIVE GOLD ON CONTACT AREA, THICKNESS : 0.05 MICROMETER MIN. TIN ALLOY ON SOLDER AREA, THICKNESS : 3 MICROMETER MIN.

NAIL: NICKEL OVERALL UNDERPLATING, THICKNESS : 1.27 MICROMETER MIN. TIN ALLOY ,THICKNESS : 3 MICROMETER MIN. ON SOLDER AREA

3.COPLANARITY: 0.15 MAX.

4.PRODUCT SPECIFICATION: PS-48000-001

5.PACKAGING: PK-48000-001



RTM	EC NO:	2005/11/18	QUALITY SYMBOLS	GENERAL TOLERANCES (UNLESS SPECIFIED)	SCALE	DESIGN UNITS	THIRD ANGLE PROJECTION	REVISE ON CAD ONLY
	DRWN:	TXUE	▽ - 0	4 PLACES ± --- ± ---	1:1	METRIC		
	CHKD:	2006/03/27	▽ - 0	3 PLACES ± --- ± ---				
	APPR:	GRMA	▽ - 0	2 PLACES ± 0.25 ± ---				
	REV	2006/03/29	▽ - 0	1 PLACE ± 0.25 ± ---				
			▽ - 0	ANGULAR ± 3 °				
				DRAFT WHERE APPLICABLE				
				MUST REMAIN WITHIN DIMENSIONS				

DIMENSION STYLE		TITLE	
MM ONLY		3 IN 1 MEMORY COMBO CONNECTOR PUSH PUSH TYPE	
DRAWN BY	DATE	MATERIAL NO.	
FOX.WU	2003/09/04	48000-2001	
CHECKED BY	DATE	DOCUMENT NO.	SHEET NO.
W.CHANG	2003/09/05	SD-48000-201	1 OF 5
APPROVED BY	DATE	THIS DRAWING CONTAINS INFORMATION THAT IS PROPRIETARY TO MOLEX INCORPORATED AND SHOULD NOT BE USED WITHOUT WRITTEN PERMISSION	
E.LAN	2003/09/05		

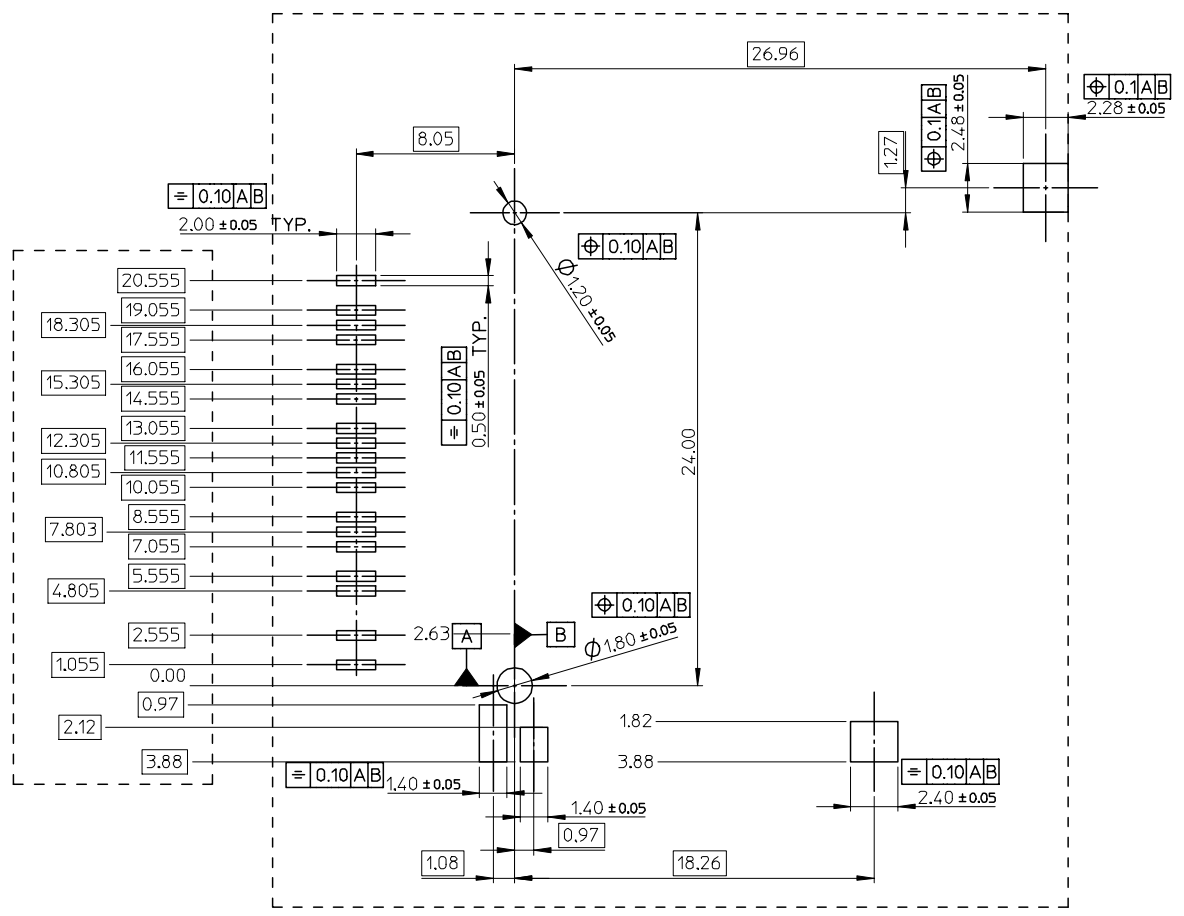
MATERIAL NO.		DOCUMENT NO.	SHEET NO.
48000-2001		SD-48000-201	1 OF 5
THIS DRAWING CONTAINS INFORMATION THAT IS PROPRIETARY TO MOLEX INCORPORATED AND SHOULD NOT BE USED WITHOUT WRITTEN PERMISSION			

9 8 7 6 5 4 3 2 1

A3

10 9 8 7 6 5 4 3 2 1

F  
E  
D  
C  
B  
A

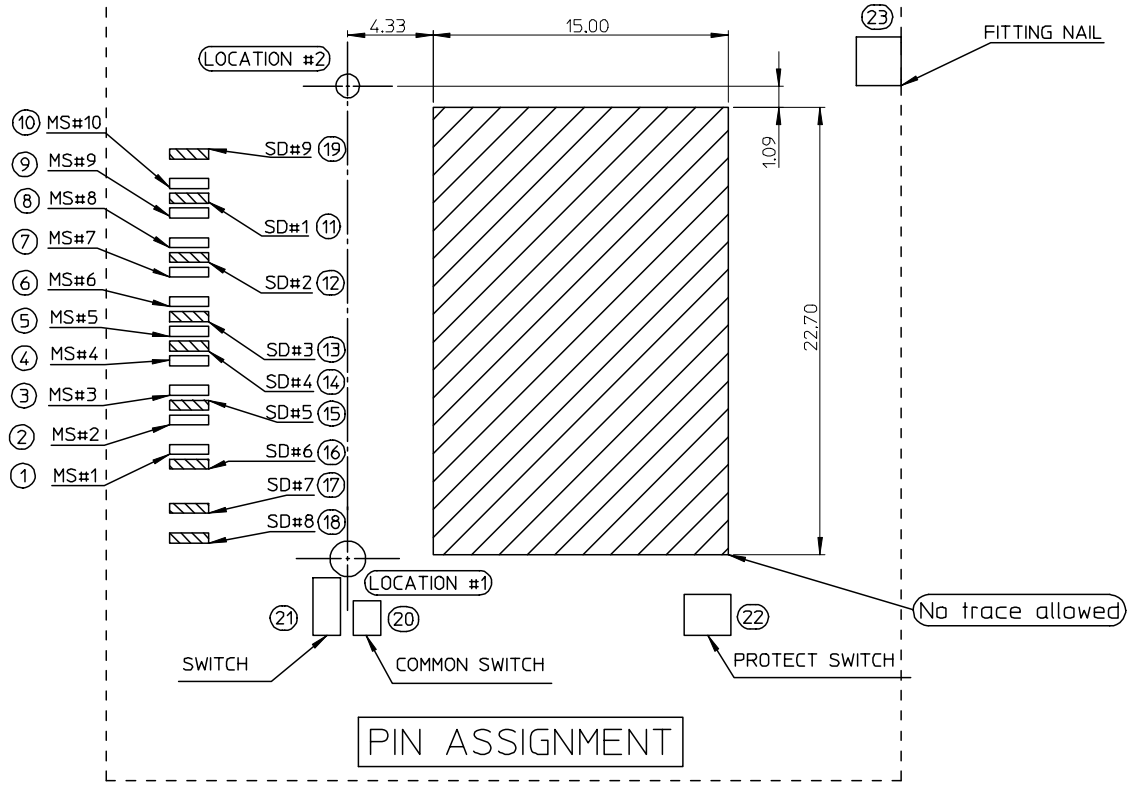


FOOT PRINT

RECOMMENDED PCB THICKNESS : 1.0 mm

RTM	QUALITY SYMBOLS	GENERAL TOLERANCES (UNLESS SPECIFIED)		SCALE 1:1	DESIGN UNITS METRIC	THIRD ANGLE PROJECTION	REVISE ON CAD ONLY	
	<ul style="list-style-type: none"> <li>▽ - 0</li> <li>▽ C - 0</li> <li>▽ S - 0</li> </ul>	mm	INCH	DIMENSION STYLE MM ONLY		TITLE 3 IN 1 MEMORY COMBO CONNECTOR PUSH PUSH TYPE		
		4 PLACES ± ---	± ---	DRAWN BY FOX.WU	DATE 2003/09/04	MOLEX INCORPORATED		
		3 PLACES ± ---	± ---	CHECKED BY W.CHANG	DATE 2003/09/05			
	2 PLACES ± 0.25	± ---	APPROVED BY E.LAN	DATE 2003/09/05	MATERIAL NO. 48000-2001	DOCUMENT NO. SD-48000-201	SHEET NO. 2 OF 5	
	1 PLACE ± 0.25	± ---	DRAFT WHERE APPLICABLE MUST REMAIN WITHIN DIMENSIONS		THIS DRAWING CONTAINS INFORMATION THAT IS PROPRIETARY TO MOLEX INCORPORATED AND SHOULD NOT BE USED WITHOUT WRITTEN PERMISSION			
	ANGULAR ± 3 °							

9 8 7 6 5 4 3 2 1



PIN ASSIGNMENT

SD CARD CIRCUIT  
=====

WITHOUT CARD  
#21 SW 0-- --0 #20 GND  
#22 WP 0-- --0 #20 GND  
=====

CARD INSERTED  
WRITE PROTECT LOCK  
#21 SW 0-----0 #20 GND  
#22 WP 0-- --0 #20 GND  
=====

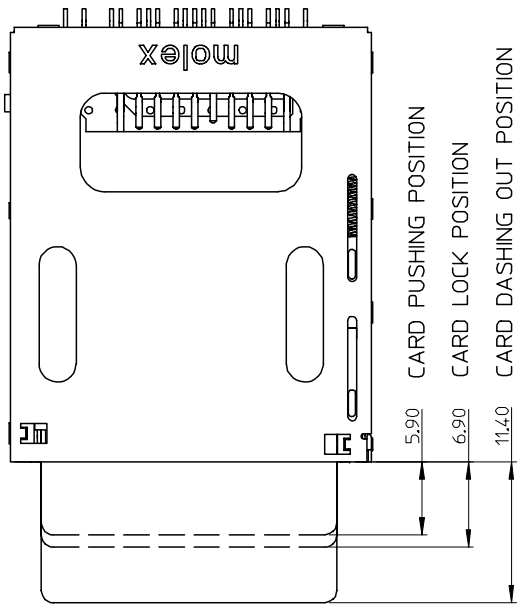
CARD INSERTED  
WRITE PROTECT UNLOCK  
#21 SW 0-----0 #20 GND  
#22 WP 0-----0 #20 GND

THE SD CARD CONTACTS ARE CONTACTED IN THREE STEPS :

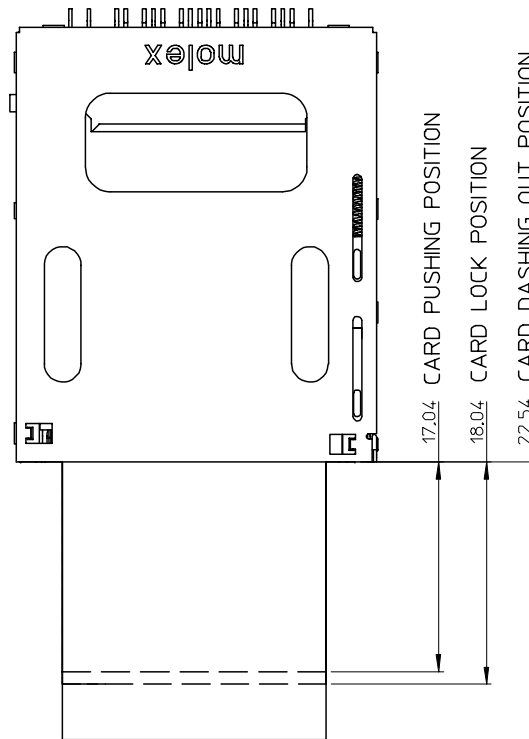
1. GROUND VSS (PIN3) AND SUPPLY VOLTAGE VDD (PIN4).
2. CLK,CMD,DAT0,DAT1,DAT2 AND VSS (PIN6)
3. CD/DAT3 (PIN1)

1	MS-1P (Vss)	15	SD-5P (CLK)
2	MS-2P (BS)	16	SD-6P (Vss)
3	MS-3P (Vcc)	17	SD-7P (DAT0)
4	MS-4P (SDIO)	18	SD-8P (DAT1)
5	MS-5P (RSV-1)	19	SD-9P (DAT2)
6	MS-6P (INS)	20	SD-SW (GND)
7	MS-7P (RSV-2)	21	SW (RSV)
8	MS-8P (SCLK)	22	SD-SW (WP)
9	MS-9P (Vcc)	23	FITTING NAIL
10	MS-10P (Vss)		
11	SD-1P (CD/DAT3)		
12	SD-2P (CMD)		
13	SD-3P (Vss)		
14	SD-4P (Vdd)		

RTM	EC NO:	2005/11/18	QUALITY SYMBOLS	GENERAL TOLERANCES (UNLESS SPECIFIED)		SCALE	DESIGN UNITS	THIRD ANGLE PROJECTION	REVISE ON CAD ONLY	
	DRWN:	TXUE		4 PLACES	± ---	± ---	1:1		METRIC	
	CHKD:	2006/03/27		3 PLACES	± ---	± ---	DIMENSION STYLE		TITLE	
	APPR:	GRMA		2006/03/29	2 PLACES	± 0.25	± ---	MM ONLY	3 IN 1 MEMORY COMBO CONNECTOR PUSH PUSH TYPE	
	REV	DESCRIPTION	1 PLACE	± 0.25	± ---	DRAWN BY	DATE	MOLEX INCORPORATED		
			ANGULAR ± 3 °			CHECKED BY	DATE	MATERIAL NO.	DOCUMENT NO.	SHEET NO.
			DRAFT WHERE APPLICABLE			APPROVED BY	DATE	48000-2001	SD-48000-201	3 OF 5
			MUST REMAIN WITHIN DIMENSIONS		THIS DRAWING CONTAINS INFORMATION THAT IS PROPRIETARY TO MOLEX INCORPORATED AND SHOULD NOT BE USED WITHOUT WRITTEN PERMISSION					

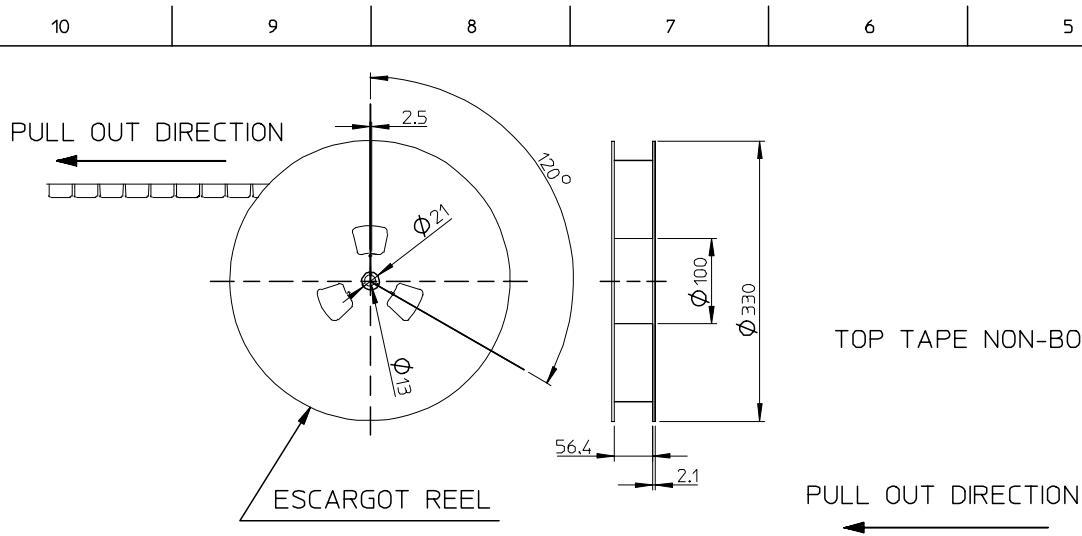


MMC/SD card



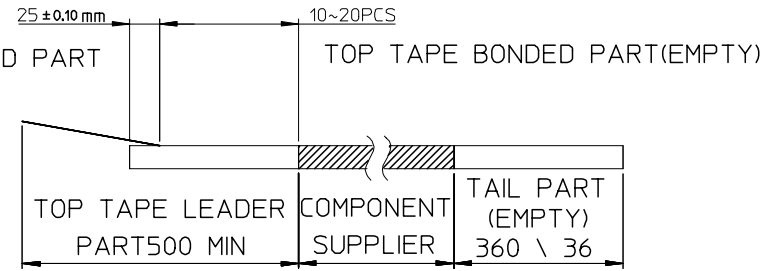
MS card

RTM	EC NO:	2005/11/18	QUALITY SYMBOLS	GENERAL TOLERANCES (UNLESS SPECIFIED)		SCALE	DESIGN UNITS	THIRD ANGLE PROJECTION REVISE ON CAD ONLY	TITLE			
	DRWN:	TXUE		2006/03/27	mm	INCH	1:1		METRIC	3 IN 1 MEMORY COMBO CONNECTOR PUSH PUSH TYPE		
	CHKD:				4 PLACES	± ---	± ---		DIMENSION STYLE		MOLEX INCORPORATED	
	APPR:	GRMA		2006/03/29	3 PLACES	± ---	± ---		MM ONLY		MATERIAL NO.   DOCUMENT NO.   SHEET NO.	
REV				2 PLACES	± 0.25	± ---	DRAWN BY   DATE		48000-2001   SD-48000-201   4 OF 5			
				1 PLACE	± 0.25	± ---	CHECKED BY   DATE					
				ANGULAR ± 3 °		APPROVED BY   DATE						
				DRAFT WHERE APPLICABLE MUST REMAIN WITHIN DIMENSIONS								
										THIS DRAWING CONTAINS INFORMATION THAT IS PROPRIETARY TO MOLEX INCORPORATED AND SHOULD NOT BE USED WITHOUT WRITTEN PERMISSION		

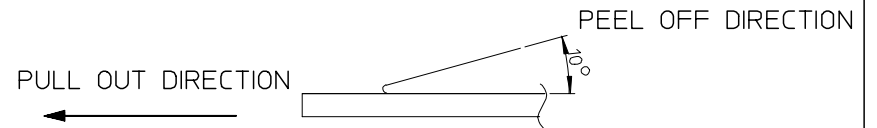


**NOTES**

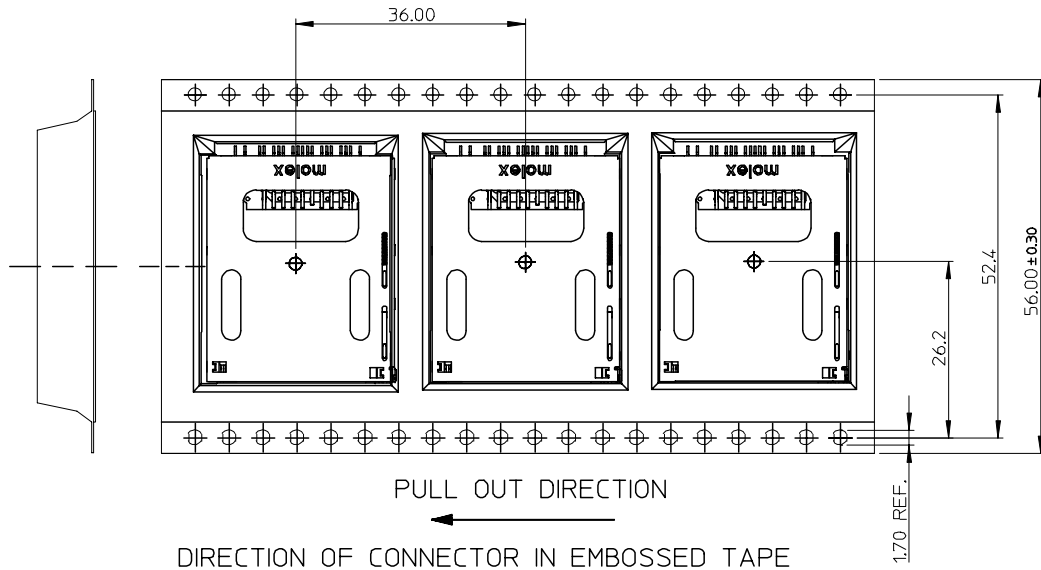
1. NUMBER OF CONNECTORS:250 PCS/REEL



3. PEEL OFF FORCE OF TOP TAPE: 0.1~1.3 N (10.2~130gf)  
 PEELING DIRECTION AS SHOWN IN FOLLOWING FIG.)  
 (PEEL OFF SPEED: 300mm/min.REF.)



4. PACKAGING DRAWING REFERS TO PK-48000-001



RTM	EC NO:	2005/11/18	QUALITY SYMBOLS	GENERAL TOLERANCES (UNLESS SPECIFIED)		SCALE	DESIGN UNITS	THIRD ANGLE PROJECTION	REVISE ON CAD ONLY		
	DRWN: TXUE	2006/03/27		mm	INCH	1:1	METRIC		TITLE		
	CHKD:	2006/03/27		4 PLACES	± ---	± ---	DIMENSION STYLE		3 IN 1 MEMORY COMBO CONNECTOR PUSH PUSH TYPE		
	APPR: GRMA	2006/03/29		3 PLACES	± ---	± ---	MM ONLY				
			2 PLACES	± 0.25	± ---	DRAWN BY	DATE	MOLEX INCORPORATED			
			1 PLACE	± 0.25	± ---	FOX.WU	2003/09/04				
				ANGULAR ± 3 °		CHECKED BY	DATE	MATERIAL NO. 48000-2001 DOCUMENT NO. SD-48000-201 SHEET NO. 5 OF 5			
				DRAFT WHERE APPLICABLE MUST REMAIN WITHIN DIMENSIONS		W.CHANG	2003/09/05				
						APPROVED BY	DATE	THIS DRAWING CONTAINS INFORMATION THAT IS PROPRIETARY TO MOLEX INCORPORATED AND SHOULD NOT BE USED WITHOUT WRITTEN PERMISSION			
						E.LAN	2003/09/05				