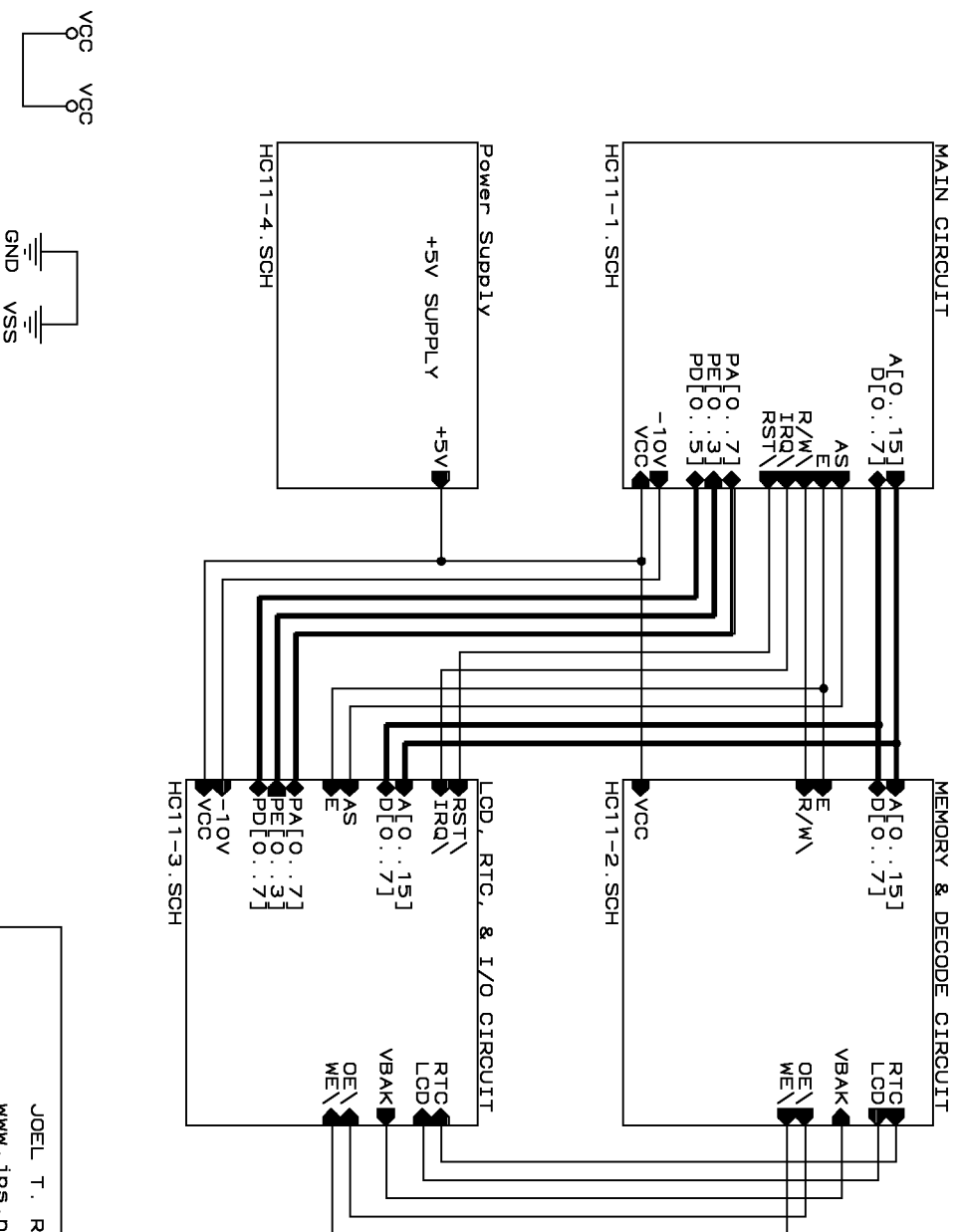
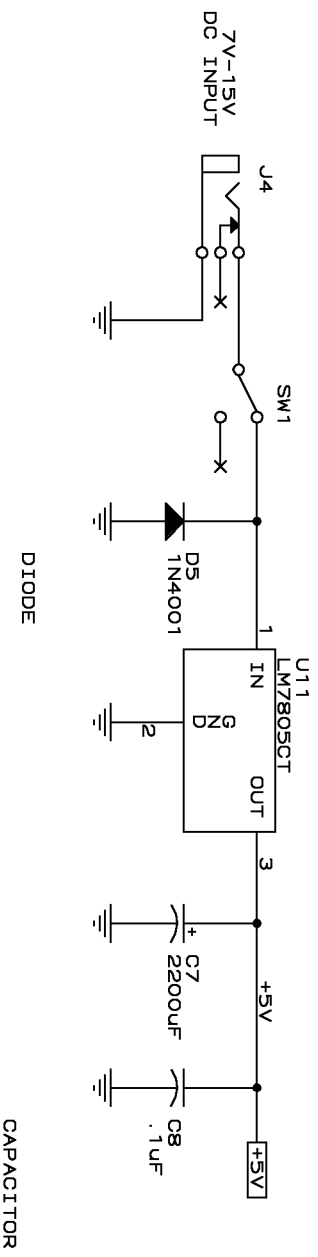


TOP LEVEL



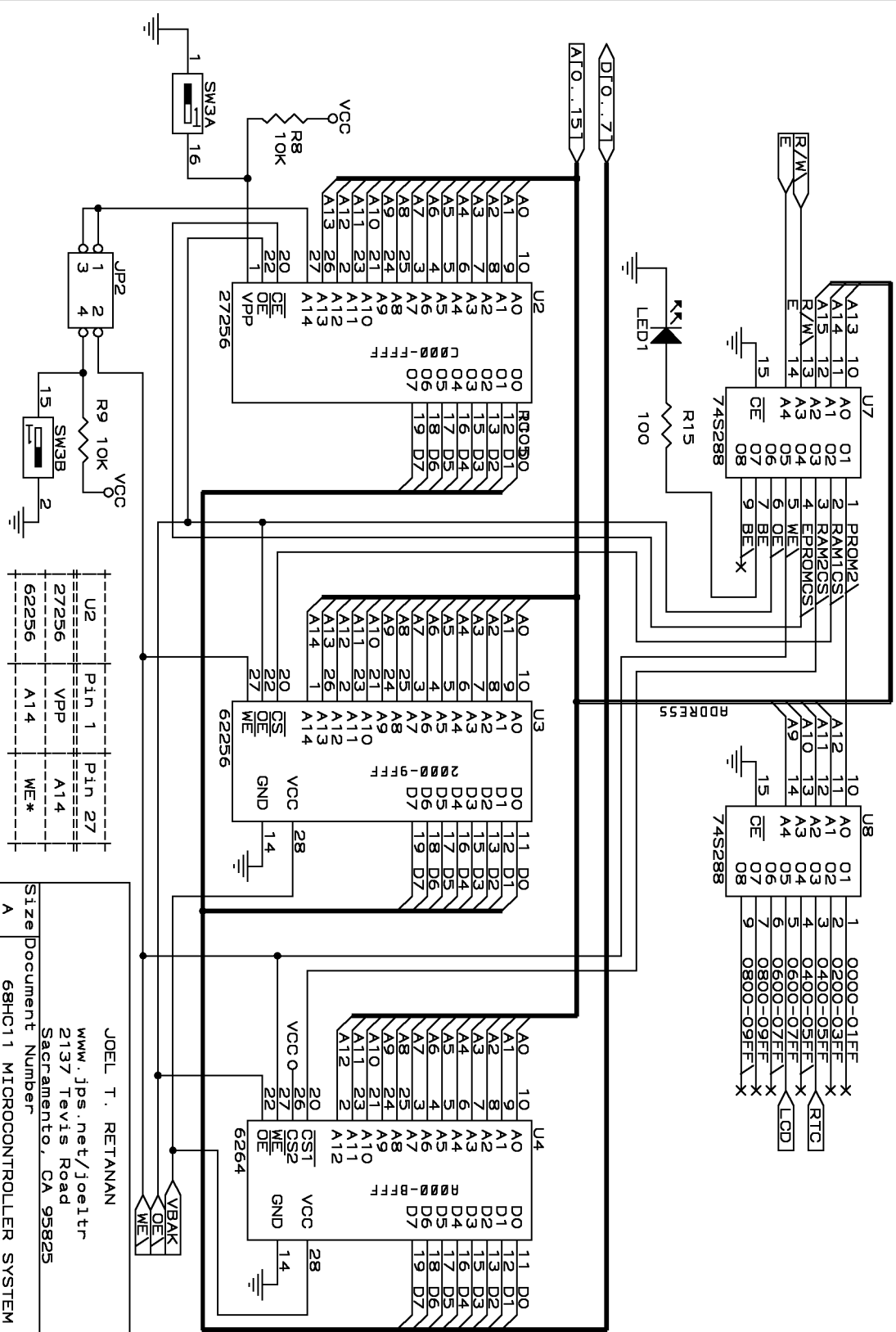
JOEL T. RETANAN	
www.jps.net/joeltr	
2137 Tevis Road	
Sacramento, CA 95825	
Size	Document Number
A	68HC11 MICROCONTROLLER SYSTEM
Date:	March 19, 1994 Sheet 1 of 5
REV	A

POWER SUPPLY



JOEL T. RETANAN	
www.jps.net/joeltr	
2137 Tevis Road	
Sacramento, CA 95825	
Size	Document Number
A	68HC11 MICROCONTROLLER SYSTEM
Date:	March 19, 1994 Sheet
	2 of 5
REV	A
	5

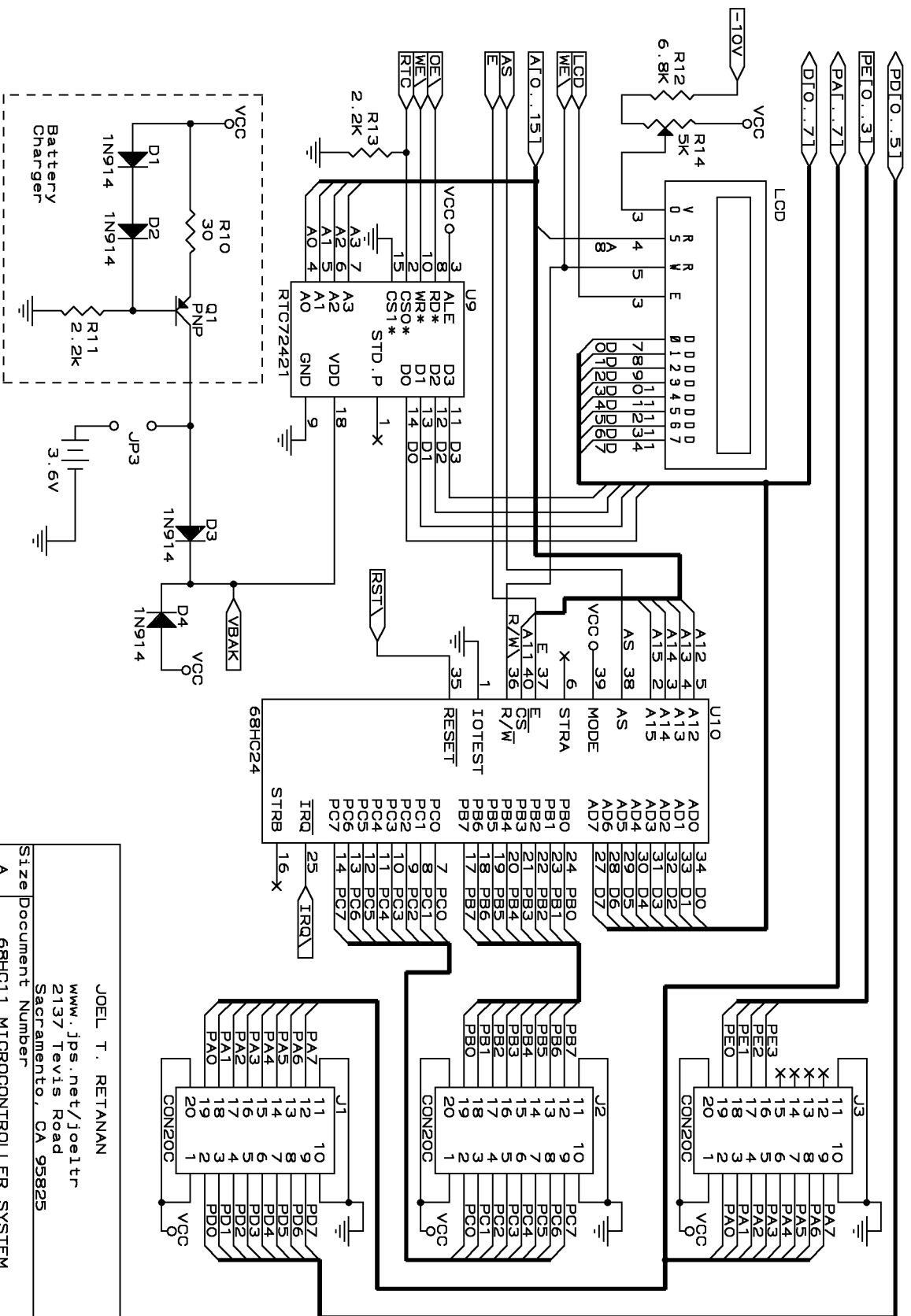
Memory & Decode Circuit



U2	Pin 1	Pin 27
27256	VPP	A14
62256	A14	WE*

JOEL T. RETANAN
 www.jps.net/joeltr
 2137 Tevis Road
 Sacramento, CA 95825
 Size Document Number
 A 68HC11 MICROCONTROLLER SYSTEM
 Date: March 19, 1994 Sheet 4 of 5

LCD, RTC, & I/O Circuit



JOEL T. RETANAN
 www.jps.net/joeltr
 2137 Tevis Road
 Sacramento, CA 95825
 Size Document Number 68HC11 MICROCONTROLLER SYSTEM
 Date: March 19, 1994 Sheet 5 of 5

REV A