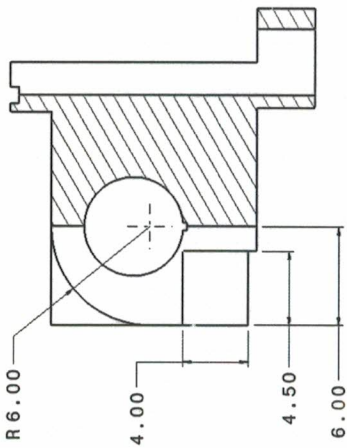
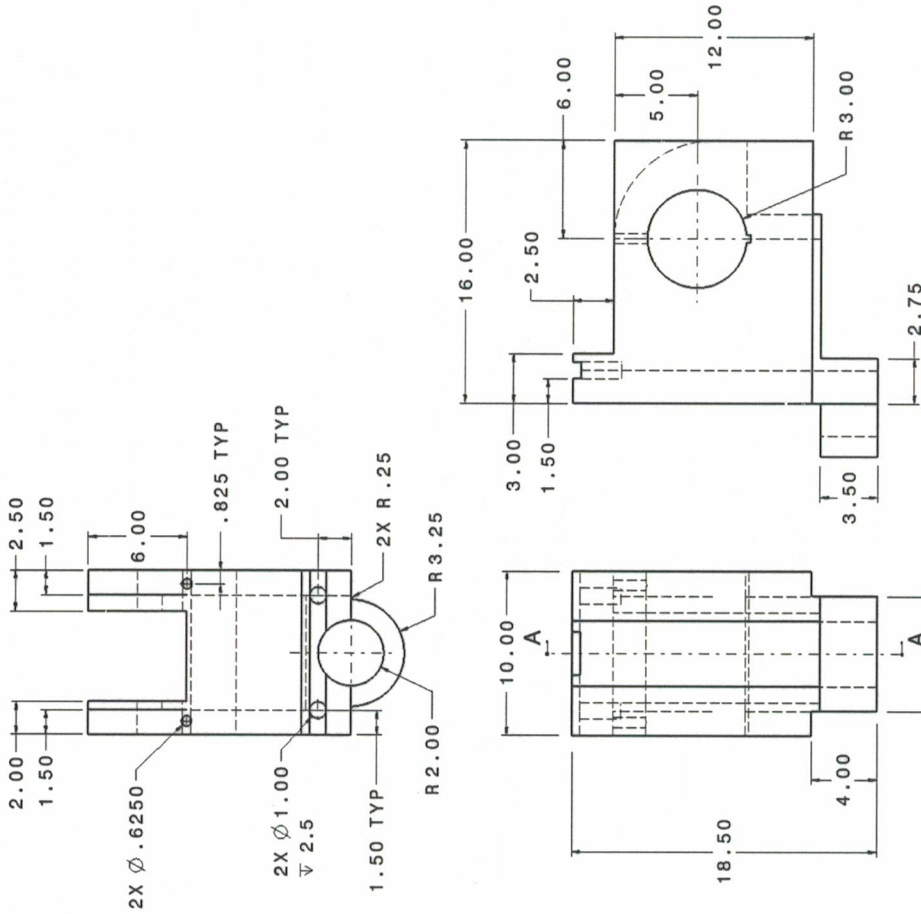
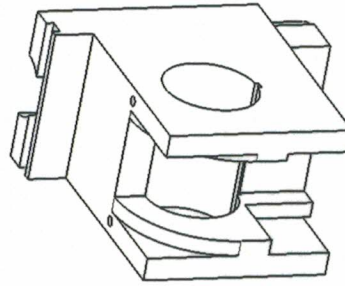
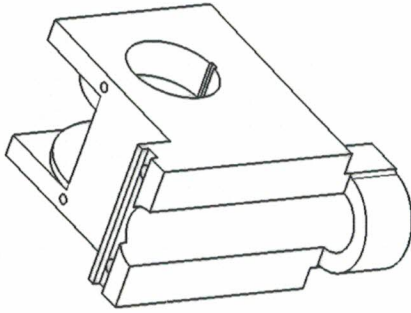
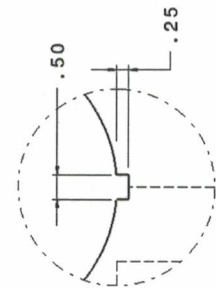
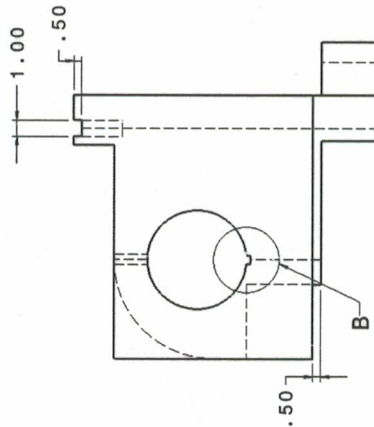


Problem #35.0



Section view A-A



Detail B