

MINIATURE TYPE

OME-A_{Model}

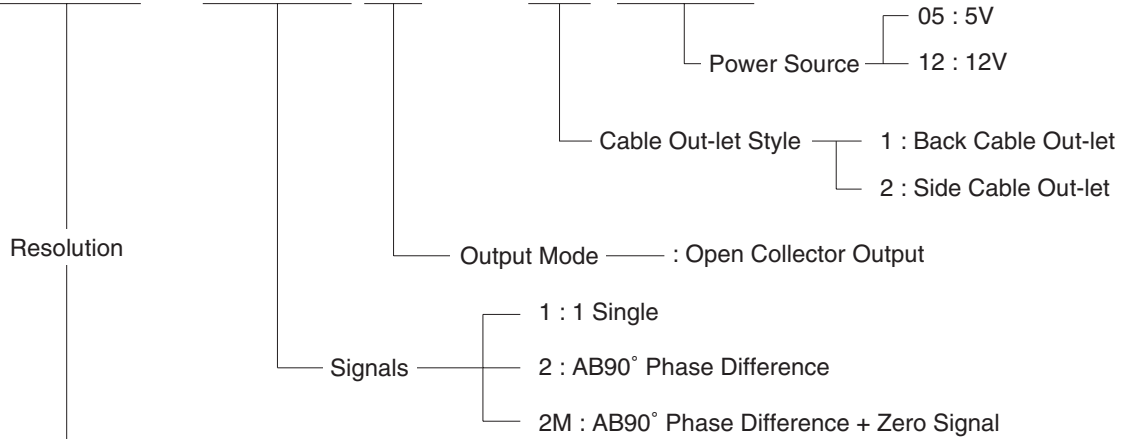


Miniature Model

- 500P/R D:18mm ~ L:18mm.
- It is Possible to Align The Electric Zero With.

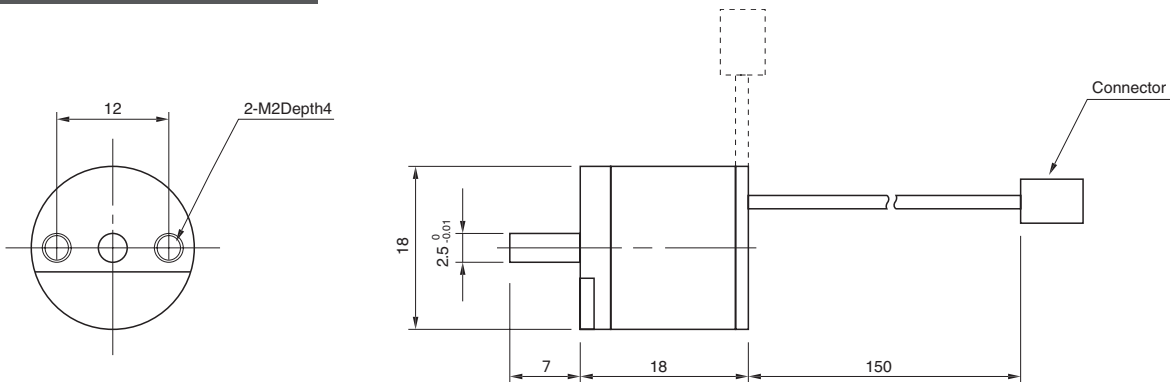
Model

OME - [] [] - [] [] CA - [] [] [] - 015 - 00

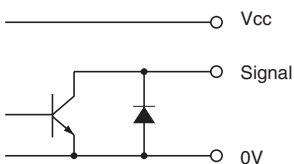


100	100 P/R	256	256 P/R	400	400 P/R
200	200 P/R	300	300 P/R	500	500 P/R
250	250 P/R	360	360 P/R		

External Dimension



Circuit of Output Signal



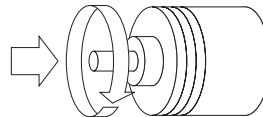
Electrical Spec.

TYPE		1CA	2CA	2MCA
Supply Voltage		DC4.5 ~ 5.5 V DC10.8 ~ 13.2V		
Requirement		50 mA Max		
Output Voltage	“H”	—————		
	“L” ※1	0.5 V Max		
Maximum Output Current		20 mA MAX		
Rise & Fall Time		1 μs Max		
Maximum Frequency Response		50 kHz		
Withstanding Voltage of Output Tr.		50 V MAX.		

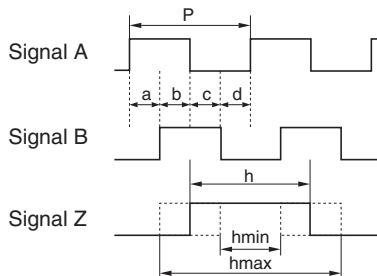
※1)
at Maximum Output Current

Wave Form.

CW → Rotating Toward Clockwise Viewed from an Arrow



Rising point of A-Signal is always at one point while Z-Signal is at H-Level in CW.



$$P = \frac{1}{1\text{Resolution}}$$

$$a, b, c, d = \frac{P}{4} \pm \frac{P}{8} \quad h = P \pm 0.75P$$

Wave Ratio (Duty); 50 ± 25 (%)

Electrical Connections

Pin#	Color of Lead Wire	Description
1	Red	Power Source
2	Black	0V Common
3	Blue	Signal A
4	White	Signal B
5	Yellow	Signal Z

Connector

Hirose Electric Co., Ltd. DF3-5S-2C(3 Signals' Use)
DF3-4S-2C(2 Signals' Use)
DF3-3S-2C(1 Signals' Use)

Mechanical Spec.

Starting Torque		4.9×10 ⁻⁴ N · m Max
Angular Acceleration		1×10 ⁴ rad/s ²
Shaft Loading	Thrust axial	1.96N
	Radial	1.96N
Moment of Inertia		1×10 ⁻⁸ kg · m ²
Maximum RPM		6000r/min
Net Weight		20g Max

Environmental Spec.

Operating Temperature	-10°C ~ +60°C
Storage Temperature	-20°C ~ +80°C
Humidity	RH 85% Max No Condensation
Vibration	10~50 Hz / 1.5mm 2 h
Shock	294m/s ² ,11ms X, Y, Z Each 3 times
Degree of Protection	IP50